

# Abrasive Waterjet Cutting Head ACTIVE IDE™ II

## Breakthrough in performance and simplicity



**The ACTIVE IDE™ II sets new standards for abrasive waterjet cutting heads! The cutting head contains a minimum number of individual components, is particularly easy to handle and produces high-precision cuts.**

### **Less components – reduced maintenance**

As the cutting head contains a minimum number of individual components, it is particularly easy to handle while producing high-precision cuts. The key advantages of the ACTIVE IDE™ II are the exact targeted cutting jet, the pre-filter protecting the orifice and the advanced nozzle valve design. The unit is also virtually maintenance-free. To achieve a perfect cutting jet, all you need to do is exchange the focussing tube.

### **User-friendly design**

The diamond orifice and the mixing chamber are combined in a single nozzle body. Both professional users and workers who have only recently been introduced to abrasive cutting benefit from the simple design of the unit, as the focussing tube and the pre-filter, which are the only wear parts, can be exchanged easily and quickly. Maintenance is thus limited to an absolute minimum.

### **Performance increased by ten to twenty times**

The integrated diamond orifice far outperforms any sapphire orifice. The prolonged service life means longer uptime and thus more consistent and precise cutting performance. The innovative design is based on a mixing chamber where water and abrasive are mixed in a most efficient and effective way, minimising the jet stream width so that all impact energy is concentrated in the cutting tip of the jet. The result is a perfect and accurately positioned cut.

### **New pre-filter protects the water nozzle**

The newly developed pre-filter is installed between the HD line and the nozzle valve body in the adapter. This component reduces the mechanical impact on the water nozzle, as particles are removed from the cutting jet so that they do not cause abrasion to the nozzle. This significantly prolongs the service life of the nozzle and lowers the operating costs.

### **Superior edge quality**

Thanks to the longer service life of the diamond orifices, a more consistent water jet can be achieved over a longer period of time. This in turn helps increase the lifespan of the focussing tube and results in smoother cutting edges and less waste.

### **Quicker and easier changeover from pure water cutting to abrasive cutting**

Operators can quickly change over from pure water cutting to abrasive cutting by simply replacing the water tube with the IDE orifice tube that fits the nozzle valve.

### **The waterjet product range of KMT WATERJET**

The ACTIVE IDE™ II is part of a complete line of leading products for a wide range of waterjet cutting applications. The line includes devices such as the STREAMLINE™ SL-V ultra high pressure pump, the ABRALINE III abrasive storage and supply system, the FEEDLINE IV abrasive metering system and a comprehensive range of high-pressure fittings.

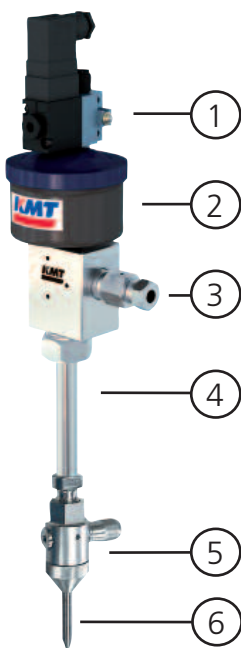
>>>



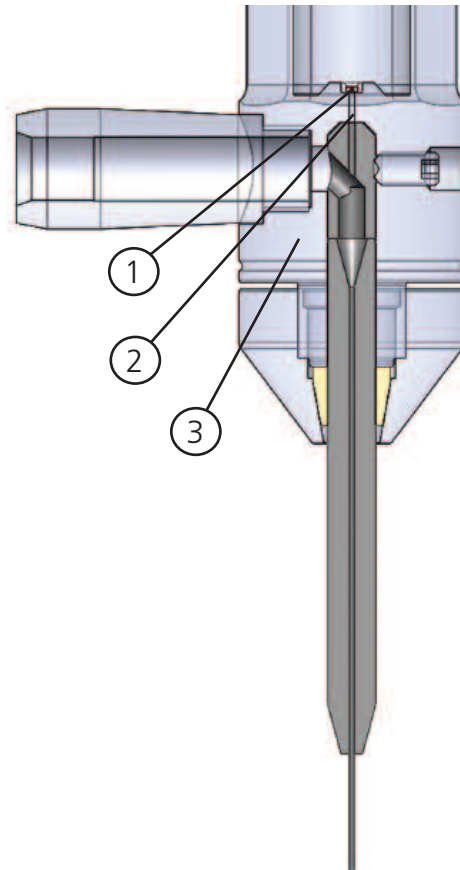


### Standard models

Diamond nozzle ID	Focussing Tube ID	Lenght
0,25 mm	0,76 mm	76,2 mm
0,28 mm	0,76 mm	76,2 mm
0,33 mm	1,00 mm	76,2 mm
0,35 mm	1,10 mm	76,2 mm



- 1 Solenoid valve
- 2 N/C pneumatic actuator
- 3 Nozzle valve
- 4 Nozzle tube  
(standard length = 152.4 mm)
- 5 IDE nozzle body
- 6 Focussing tube



- 1 Indestructible diamond nozzle
- 2 Permanent precision jet alignment
- 3 Adapter body made consisting of one piece

### Online Shop ORDERLINE ANYWHERE

As a registered customer, you can now order original KMT spare parts online through our ORDERLINE ANYWHERE portal. Simply look up your part in the electronic spare parts catalogue and add it to your virtual shopping basket. In addition, you can track your orders online and make use of a number of other useful functions.



**KMT GmbH • KMT Waterjet Systems**

Auf der Laukert 11 • 61231 Bad Nauheim • Germany  
 Phone: +49-6032-997-0 • Fax: +49-6032-997-274  
[www.kmt-waterjet.com](http://www.kmt-waterjet.com) • [info@kmt-waterjet.com](mailto:info@kmt-waterjet.com)

